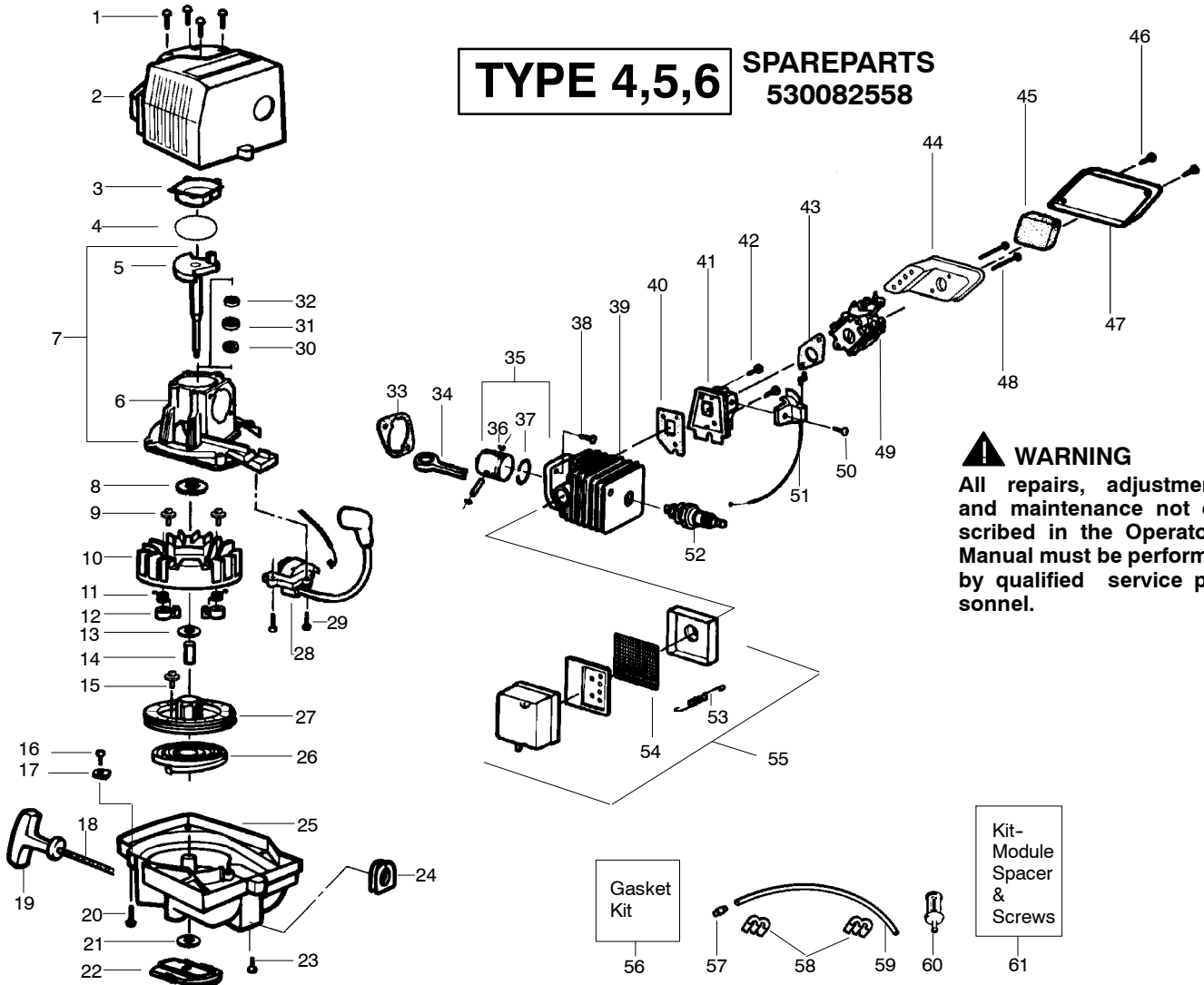


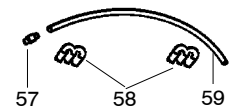


TYPE 4,5,6 SPAREPARTS 530082558



⚠ WARNING
All repairs, adjustments and maintenance not described in the Operator's Manual must be performed by qualified service personnel.

Gasket Kit
56

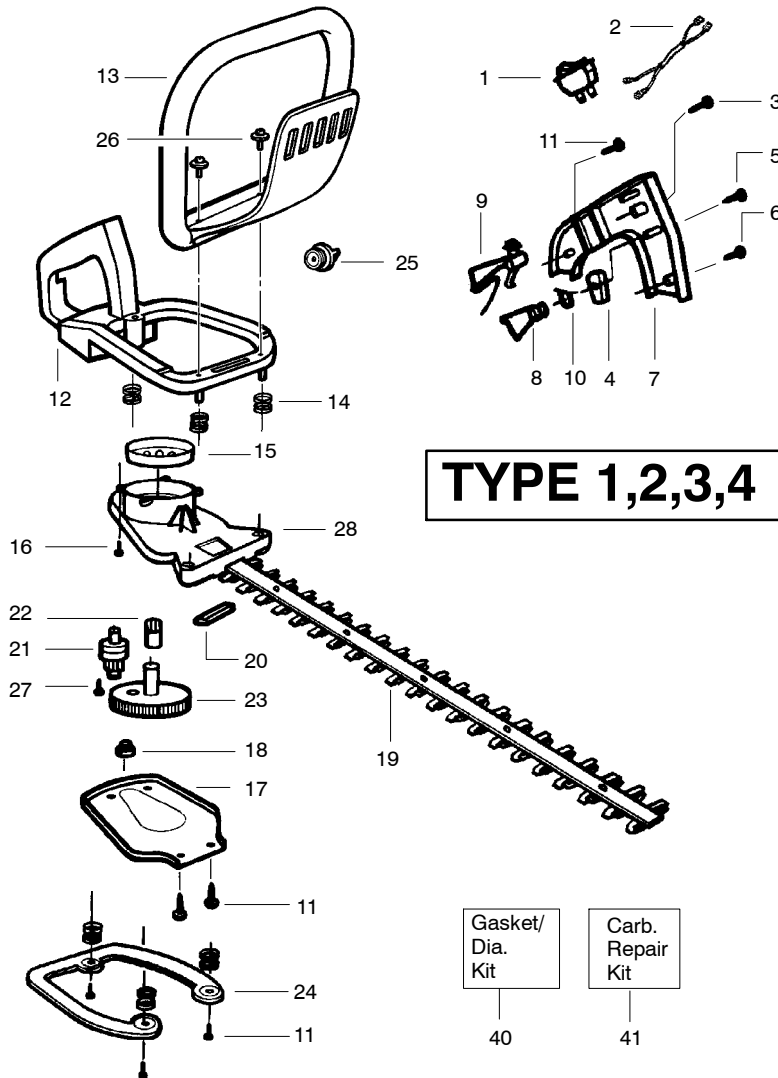


Kit-Module Spacer & Screws
61

| Ref. | Part No. | Description | Ref. | Part No. | Description | Ref. | Part No. | Description |
|------|-----------|---|------|-----------|-------------------------|------|-----------|--|
| 1. | 530016386 | Screw-Shroud | 25. | 530014635 | Assy-Fan Housing | 50. | 530015775 | Screw-Throtl. Cable |
| 2. | 530038014 | Shroud | 26. | 530042085 | Starter Spring | 51. | 530014384 | Throttle Cable Ass'y. |
| 3. | 530029929 | Crankcase Cover | 27. | 530069353 | Starter Pulley Kit | 52. | 952030201 | Spark Plug(RCJ-8Y) |
| 4. | 530069622 | O-ring-C'case(kit) | 28. | 530039163 | Ignition Module | 53. | 530016197 | Muffler Spring |
| 5. | 530014307 | Assy-Crankshaft | 29. | 530016357 | Screw-Ignit. Mod. | 54. | 530036180 | Muffler Screen |
| 6. | 530071627 | Assy-Crankcase (Incl. 8,30,31,32) | 30. | 530055728 | Outer Bearing | 55. | 530069659 | Kit-Muffler |
| 7. | 530071626 | C'case & C'shaft Assy. (Incl. 5 & 6) | 31. | 530071615 | Kit-Crankcase Seal | 56. | 530069622 | Engine Gasket Kit (Incl. 4, 33, 40 & 43) |
| 8. | 530015941 | Retaining Ring | 32. | 530032125 | Inner Bearing | 57. | 530023877 | Fuel Line Fitting |
| 9. | 530015882 | Screw-Flywheel | 33. | 530069622 | Gasket-Cyl. (kit) | 58. | 530016103 | Retainer Clip |
| 10. | 530039149 | Flywheel Ass'y. | 34. | 530069615 | Connecting Rod Ass'y. | 59. | 530069599 | Fuel Line Kit (Incl.) (Fuel and Vent lines) |
| 11. | 530016191 | Spring-Starter Dog | 35. | 530069621 | Piston Kit(Incl. 36,37) | 60. | 530095647 | Fuel Pick-up Ass'y. |
| 12. | 530049284 | Starter Dog | 36. | 530015162 | Piston Pin Retainer | 61. | 530071731 | Kit-Module Spacer & Screws |
| 13. | 530015828 | Washer | 37. | 530036404 | Piston Ring | | | Not Shown |
| 14. | 530015930 | Flywheel Spacer | 38. | 530015953 | Screw-Cylinder | | | |
| 15. | 530016392 | Screw-Pulley | 39. | 530069619 | Cylinder | | | |
| 16. | 530015496 | Screw-Retainer | 40. | 530069622 | Gasket- Adapt.(kit) | | | |
| 17. | 530015963 | Retainer | 41. | 530049024 | Carb. Adaptor | | | |
| 18. | 530069232 | Rope Kit | 42. | 530016014 | Screw-Carb. Adap | | | |
| 19. | 530027569 | Starter Handle | 43. | 530069622 | Gasket-Carb(kit) | | | |
| 20. | 530015935 | Screw-Fan Housing | 44. | 530036192 | Air Box | | | |
| 21. | 530015828 | Washer | 45. | 530029934 | Air Filter Foam | | | |
| 22. | 530014396 | Clutch Ass'y. Kit | 46. | 530015635 | Screw-A.F. Cover | | | |
| 23. | 530015934 | Screw-Fan Hsg/Shrd. | 47. | 530036193 | Air Filter Cover | | | |
| 24. | 530019182 | Grommet | 48. | 530015849 | Screw-Air Box | ↗ | 530164473 | Operator Manual Scandinavian |
| | | | 49. | 530069682 | Carburetor C1U-W4 | ↗ | 530164472 | European |

↗ = NEW PART NUMBER FOR THIS IPL

* = REFER TO THE SERVICE REFERENCE INDICATED FOR MORE INFORMATION. (LOCATED AT END OF IPL)



SPAREPARTS
530082558

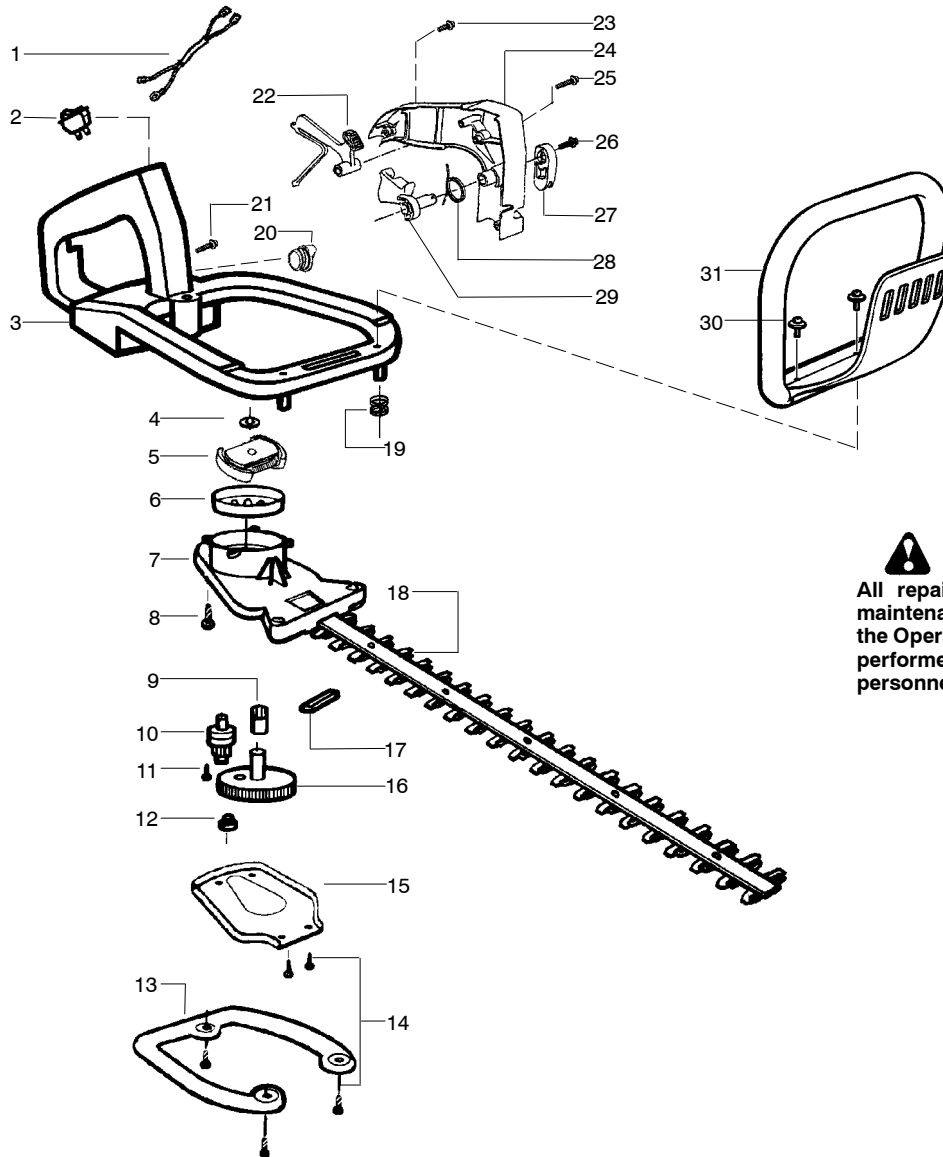
TYPE 1,2,3,4

| Ref. | Part No. | Description | Ref. | Part No. | Description | Ref. | Part No. | Description |
|------|-----------|-------------------------|------|-----------|----------------------|------|-----------|---------------------|
| 1. | 530029954 | Ignition Switch | 13. | 530094992 | Front Handle | 24. | 530036046 | Isolator Plate |
| 2. | 530054133 | Lead Wire/Switch Assy | 14. | 530029946 | Spring | 25. | 530036965 | Fuel Cap Ass'y. |
| 3. | 530015775 | Screw | 15. | 530048113 | Clutch & Drum Ass'y. | 26. | 530015955 | Screw |
| 4. | 530029958 | Trigger Lever | 16. | 530015814 | Screw | 27. | 530015805 | Screw |
| 5. | 530015940 | Screw | 17. | 530029916 | Gear Box Plate | 28. | 530014399 | Gear Box Ass'y. |
| 6. | 530015770 | Screw | 18. | 530032121 | Bushing Blade | | | (Incl. 21, 22 & 27) |
| 7. | 530038305 | Handle Cover | 19. | 530403229 | Blade Ass'y. | | | |
| 8. | 530053884 | Throttle Trigger | 20. | 530029948 | Blade Seal | | | |
| 9. | 530053900 | Throttle Lockout | 21. | 530036228 | Pinion Ass'y. | | | |
| 10. | 530036123 | Trigger Spring | 22. | 530016013 | Gear Bearing | | | |
| 11. | 530015934 | Screw | 23. | 530069355 | Drive Gear Ass'y. | | | |
| 12. | 530047879 | Rear Handle/Tank Ass'y. | | | | | | |



TYPE 5

SPAREPARTS
530082558



WARNING
All repairs, adjustments and maintenance not described in the Operator's Manual must be performed by qualified service personnel.

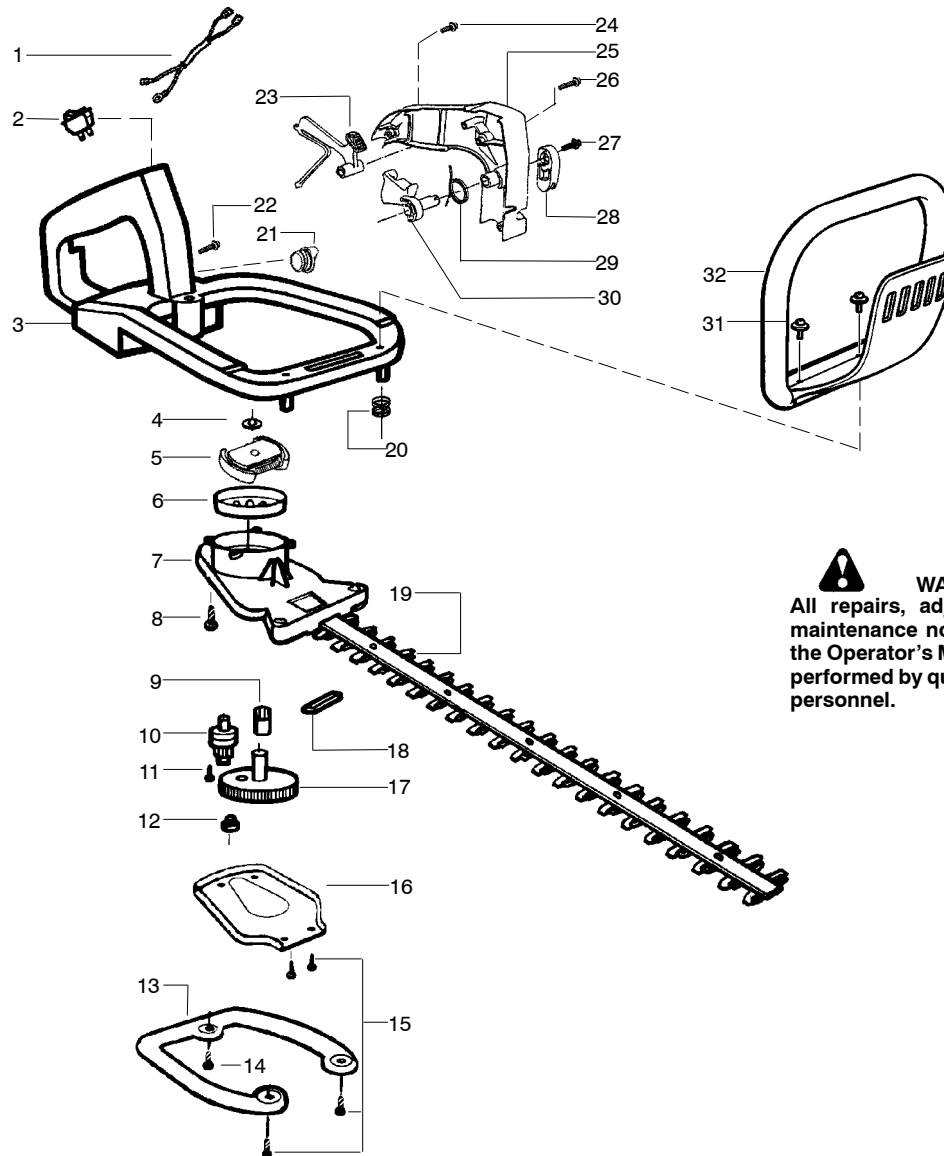
| Ref. | Part No. | Description | Ref. | Part No. | Description |
|------|-----------|--------------------------------------|------|-----------|-------------------|
| 1. | 530054133 | Assy-Leadwire/Switch (Incl.#2) | 17. | 530029948 | Seal-Blade (Felt) |
| 2. | 530029954 | Switch-Ignition | 18. | 530403229 | Assy-Blade 22" |
| 3. | 530047879 | Assy-Rear Handle & Tank | 19. | 530029946 | Spring |
| 4. | 530015828 | Washer-Clutch | 20. | 530047877 | Assy-Fuel Cap |
| 5. | 530014396 | Kit-Clutch Assy. | 21. | 530015770 | Screw |
| 6. | 530056069 | Assy-Drum | 22. | 530053900 | Lockout-Throttle |
| 7. | 530096102 | Assy-Gear Box (incl.# 9-11) | 23. | 530015934 | Screw |
| 8. | 530015886 | Screw | 24. | 530038305 | Cover-Handle |
| 9. | 530016013 | Bearing-Gear | 25. | 530015940 | Screw |
| 10. | 530096009 | Assy-Pinion | 26. | 530015775 | Screw |
| 11. | 530015805 | Screw | 27. | 530029958 | Lever-Trigger |
| 12. | 530032121 | Bushing-Blade | 28. | 530036123 | Spring-Trigger |
| 13. | 530036046 | Plate-Isolator | 29. | 530053884 | Trigger |
| 14. | 530015934 | Screw | 30. | 530015955 | Screw |
| 15. | 530029916 | Cover-Gear Box Plate | 31. | 530094992 | Handle-Front |
| 16. | 530071690 | Kit-Drive Gear Ass'y. (Incl. #12) | | | |

✓ = NEW PART NUMBER FOR THIS IPL * = REFER TO THE SERVICE REFERENCE INDICATED FOR MORE INFORMATION. (LOCATED AT END OF IPL)
● = THESE PARTS ARE ILLUSTRATED FOR CLARITY. ORDER COMPLETE ASSEMBLY.



TYPE 6

SPAREPARTS 530082558



WARNING
All repairs, adjustments and maintenance not described in the Operator's Manual must be performed by qualified service personnel.

| Ref. | Part No. | Description | Ref. | Part No. | Description |
|------|-----------|--------------------------------------|------|-----------|-------------------|
| 1. | 530054133 | Assy-Leadwire/Switch (Incl.#2) | 18. | 530029948 | Seal-Blade (Felt) |
| 2. | 530029954 | Switch-Ignition | 19. | 530403229 | Assy-Blade 22" |
| 3. | 530071736 | Assy-Rear Handle & Tank | 20. | 530029946 | Spring |
| 4. | 530015828 | Washer-Clutch | 21. | 530047877 | Assy-Fuel Cap |
| 5. | 530014396 | Kit-Clutch Assy. | 22. | 530016406 | Screw |
| 6. | 530056069 | Assy-Drum | 23. | 530053900 | Lockout-Throttle |
| 7. | 530096102 | Assy-Gear Box (incl.# 9-11) | 24. | 530015934 | Screw |
| 8. | 530015886 | Screw | 25. | 530038305 | Cover-Handle |
| 9. | 530016013 | Bearing-Gear | 26. | 530015940 | Screw |
| 10. | 530096009 | Assy-Pinion | 27. | 530015775 | Screw |
| 11. | 530015805 | Screw | 28. | 530029958 | Lever-Trigger |
| 12. | 530032121 | Bushing-Blade | 29. | 530036123 | Spring-Trigger |
| 13. | 530036046 | Plate-Isolator | 30. | 530053884 | Trigger |
| 14. | 530015849 | Screw | 31. | 530015955 | Screw |
| 15. | 530015934 | Screw | 32. | 530094992 | Handle-Front |
| 16. | 530029916 | Cover-Gear Box Plate | | | |
| 17. | 530071690 | Kit-Drive Gear Ass'y. (Incl. #12) | | | |

✓ = NEW PART NUMBER FOR THIS IPL

★ = REFER TO THE SERVICE REFERENCE INDICATED FOR MORE INFORMATION. (LOCATED AT END OF IPL)



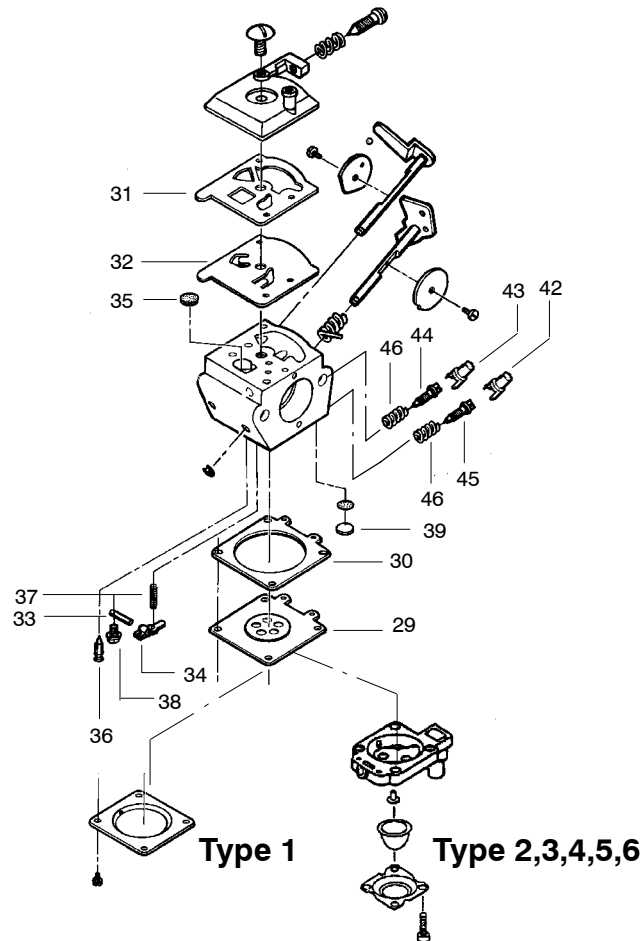
TYPE 1-6

SPAREPARTS
530082558

Type 1 -Carburetor Number
#530035306 - WT-221

Type 2,3 -Carburetor Number
#530069692 - WT-379

Type 4,5,6 -Carburetor Number
#530069682 - C1U-W4



Carb.
Repair
Kit

41

Gasket/
Diaph.
Kit

40

| Ref. | Part No. | Description | Ref. | Part No. | Description |
|------|-----------|---------------------------|------|-----------|-----------------------|
| 29. | 530035014 | Metering Diaphragm | 41. | - | Carb. Repair Kit |
| 30. | 530035320 | Metering Diaphragm Gasket | | 530035312 | Type 1 |
| 31. | 530035164 | Fuel Pump Gasket | | - | (Incl. 33-40) |
| 32. | 530035166 | Fuel Pump Diaphragm | | - | Type 2 |
| 33. | 530035028 | Metering Pin | | - | (Incl. 33-40, 42-46 & |
| 34. | 530035031 | Metering Lever | | - | Primer Bulb) |
| 35. | 530035178 | Fuel Inlet Screen | | 530069656 | Walbro |
| 36. | 530035106 | Inlet Needle Valve | | 530069969 | Zama |
| 37. | 530035139 | Metering Lever Spring | | | |
| 38. | 530035236 | Metering Lever Pin Screw | 42. | 530038479 | Limiter Cap-High |
| 39. | 530035162 | Welch Plug | 43. | 530038478 | Limiter Cap-Low |
| 40. | - | Gasket/Diaphragm | 44. | - | Needle-High |
| | 530069844 | Kit (Incl. 29-32) | | 530035407 | Walbro |
| | 530069866 | Walbro | | 530035443 | Zama |
| | | Zama | 45. | - | Needle-Low |
| | | | | 530035408 | Walbro |
| | | | | 530035444 | Zama |
| | | | 46. | - | Needle Spring |
| | | | | 530035293 | Walbro |
| | | | | 530035445 | Zama |

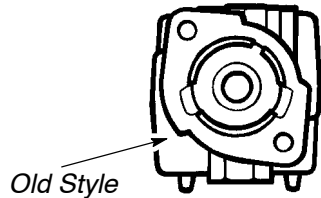


SERVICE REFERENCE #1

SPAREPARTS 530082558

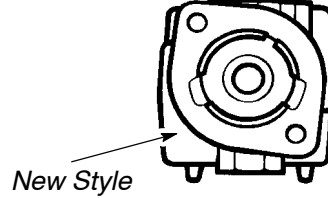
1. Crankcase/Cylinder Assemblies - page 1

When replacing the Cylinder, Crankcase, or Gasket refer to the illustrations below and order accordingly.



Old Style

Key No. 10 #530069406 Crankcase/Cylinder Kit
& Key No. 41
Key No. 56 #530014395-C'case & C'shaft Ass'y.
Key No. 57 #530069351-Gasket Kit



New Style

Key No. 10 #530014861-Crankcase Ass'y.
Key No. 41 - Cylinder
#530069405 Type 1
#530069614 Type 2,3
Key No. 56 #530014973-C'case & C'shaft Ass'y.
Key No. 57 - Gasket Kit
#530069407 Type 1
#530069616 Type 2,3

#530069617-Crankcase/Cylinder Kit
(Incl. Ref. 10 & 41)
Type 2,3

2. Carburetor - A small number of units were equipped with carburetor model WT-307 in early 1995. Use replacement and repair kits for carburetor model WT-379 (currently shown on page 2) to service the WT-307.